

Specific Instructions for Installation in multi-lamp fittings using two foot lamps and Switch Start Ballasts

Application

This Guidance Note applies to the retrofit installation of Save It Easy® HF adapters into luminaires with two, three or four, 2 foot, T8 or T12 lamps which are powered by two switchstart electromagnetic ballasts.

The Save It Easy® products/kits supplied for this application are designated with the following part numbers:

CMC-230-014-QUAD

CMC-230-014-TRI

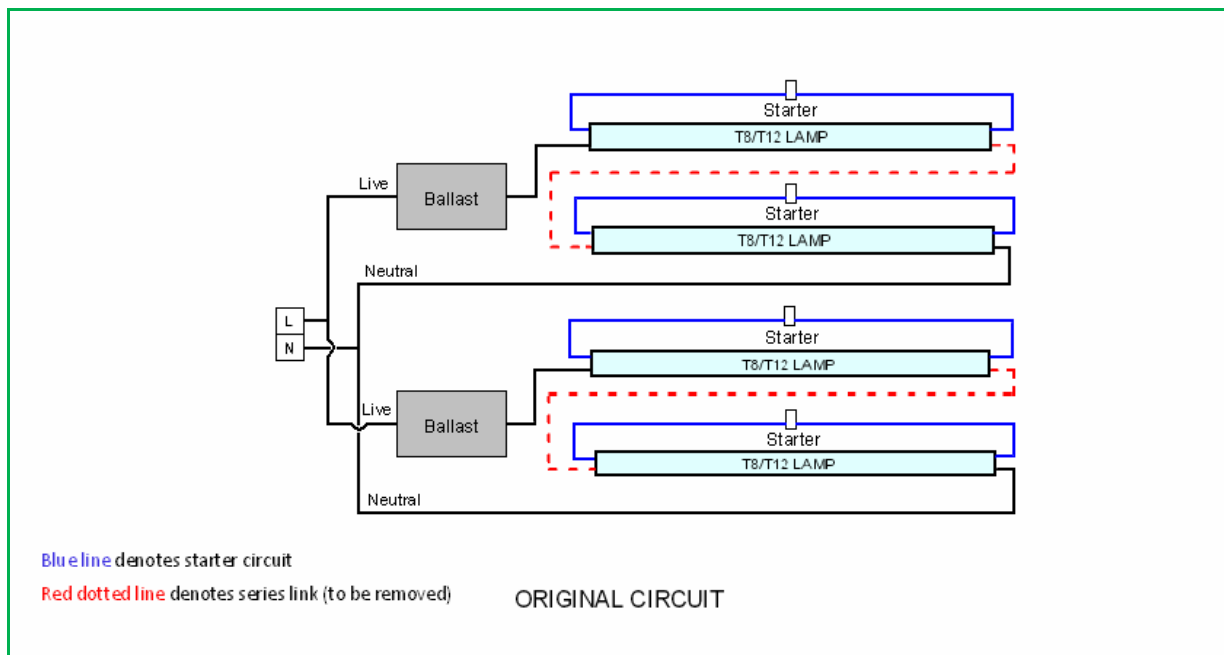
This Guidance Note is effective from the date above and replaces Guidance Note 016 – 600 x 600 Switchstart Luminaires for all products/kits shipped after that date.

AGN16 remains applicable for all INL-240-014-QUAD and INL-240-014-TRI kits.

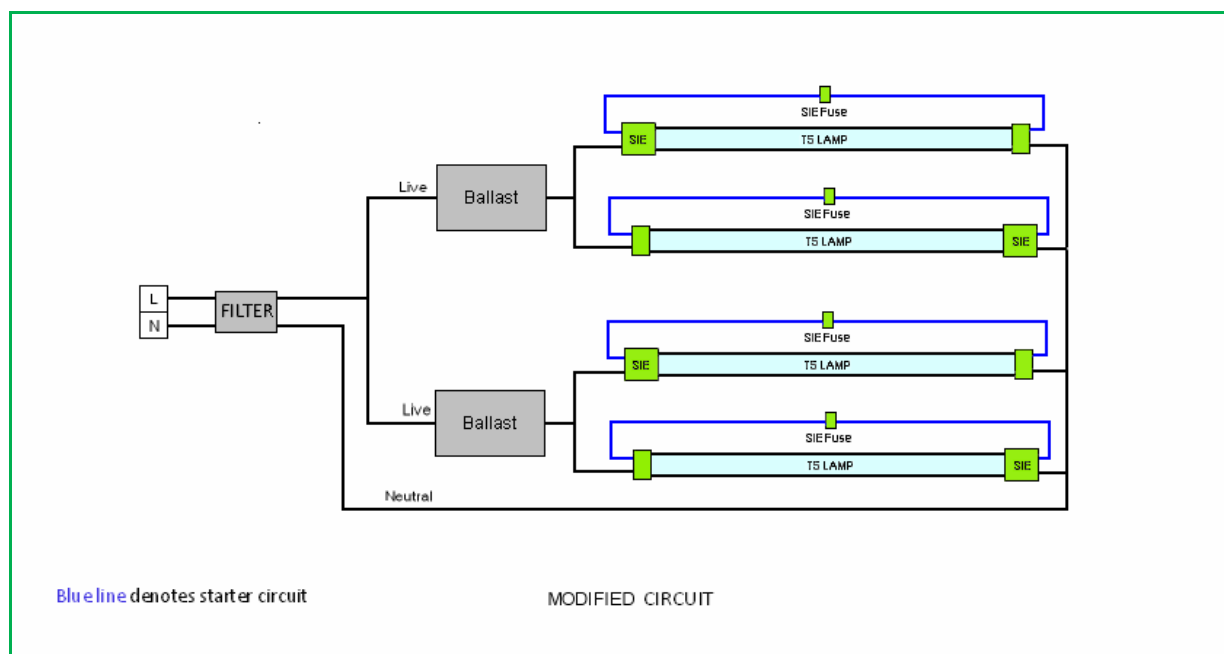
Installation Process

The existing system may use either one or two Ballasts.

The wiring arrangement for a two ballast system is shown below. Each ballast circuit is essentially treated separately so, in the event that the fitting is a twin tube unit with one ballast, just apply the procedure accordingly.

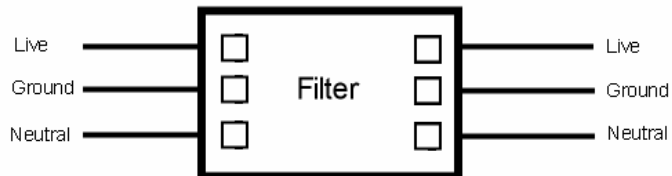


To convert the fitting, remove the link wires (shown as dotted red lines in the diagram above). The links should be replaced by direct live or neutral feeds as appropriate to the lamp ends from which the link wires have been removed as shown in the diagram below. In addition, any power factor capacitor fitted within the circuit should be removed and the SIE filter fitted across the live and neutral adjacent to the connector block also as shown in the diagram below.



Connecting the Filter

Connect the filter into the incoming live/neutral circuit as shown above. The filter should be wired as shown below. Please note that the filter is bi-directional, which means that it does not matter whether the mains side is to the left or right.



Additional Information

For additional general guidance on installing Save It Easy®, please refer to the SIE Installation Guide (available from www.saveiteasy.co.uk) and the Installation Flowchart provided with the supplied products/kits.