

General Guide to Installation in Fittings with Quick Start or Rapid Start Ballast

Application

This Guidance Note applies to the retrofit installation of Save It Easy® HF adapters into luminaires using quick start or rapid start electromagnetic ballasts, excluding 600mm x 600mm modular fittings.

The Save It Easy® products supplied for this application are designated with the following part numbers:

INL-230-014-T5A

INL-230-028-T5A

INL-230-035-T5A

INL-UHL-45F-T5A

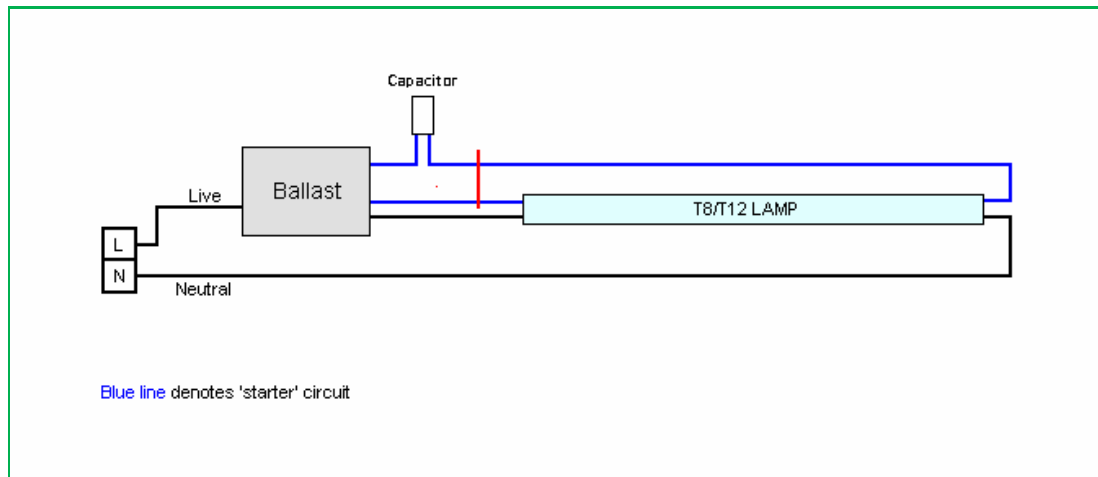
INL-UHL-049-T5B

INL-UHL-049-T5D

INL-240-070-T8A

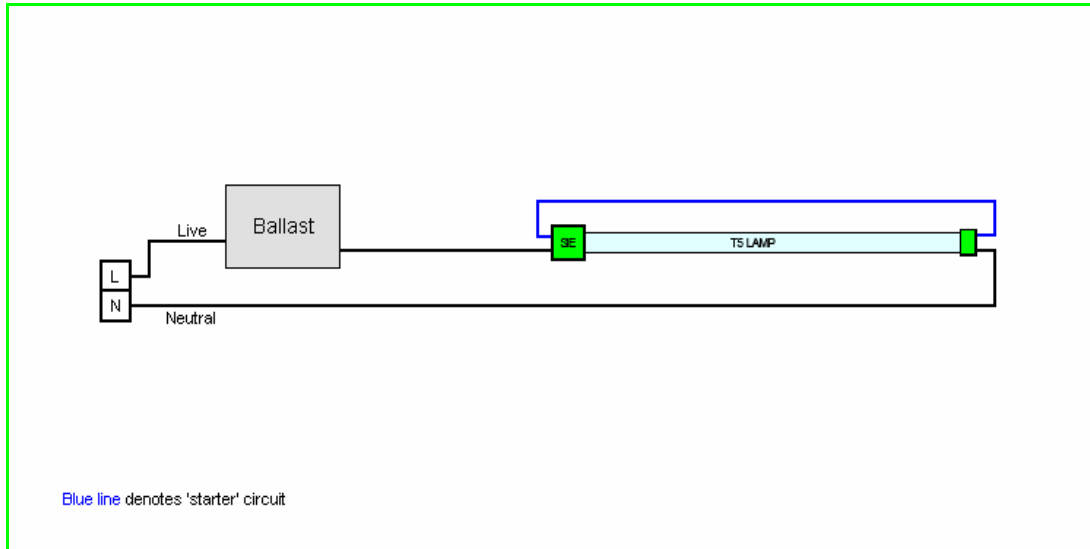
Installation Process

The existing system connects the starter circuit to the ballast, usually with a Power Factor correction capacitor included. The wiring arrangement will look similar to the arrangement shown below.



To install Save It Easy® proceed as follows:

1. Isolate the luminaire from the electrical supply and open the fitting to gain access to the wiring and ballast.
2. Identify and cut the two wires of the starter circuit connected to the existing ballast, in the process removing the PF correction capacitor if any. The red line in the diagram above shows the appropriate point to cut the wires.
3. Rejoin the starter circuit wires together so that it conforms to the wiring circuit shown below.
4. Close up the fitting and attach a warning label identifying the fitting as having been modified.
5. Install the Save It Easy® adapter and lamp in accordance with the standard fitting instructions supplied with the SIE adapter.



Additional Information

For additional general guidance in installing Save It Easy®, please refer to the SIE Installation Guide (available from www.saveiteasy.co.uk) and the Installation Flowchart provided with the supplied products/kits.