

General Guide to Installation in Standard Switch Start Fittings

Application

This Guidance Note applies to the retrofit installation of Save It Easy® HF adapters into standard switch start fittings.

The Save It Easy® products supplied for this application are designated with the following part numbers:

INL-230-014-T5A

EVG-230-014-T5B

INL-230-028-T5B

INL-230-035-T5B

INL-UHL-45F-T5A

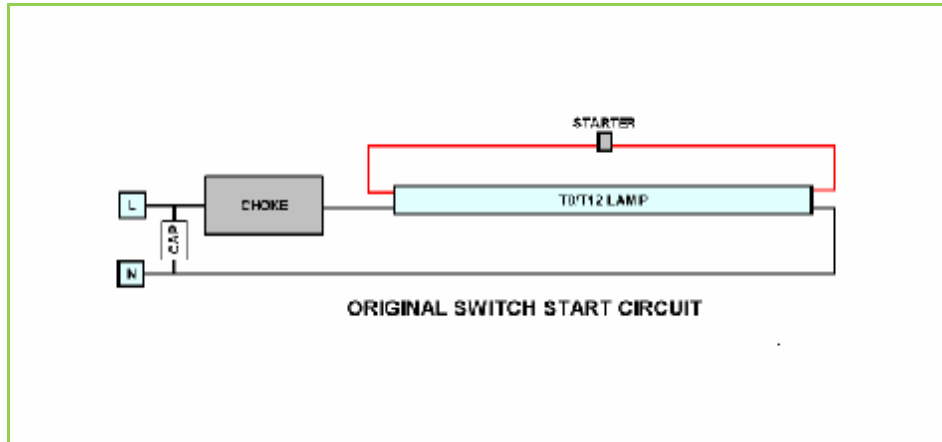
INL-UHL-049-T5B

INL-UHL-049-T5D

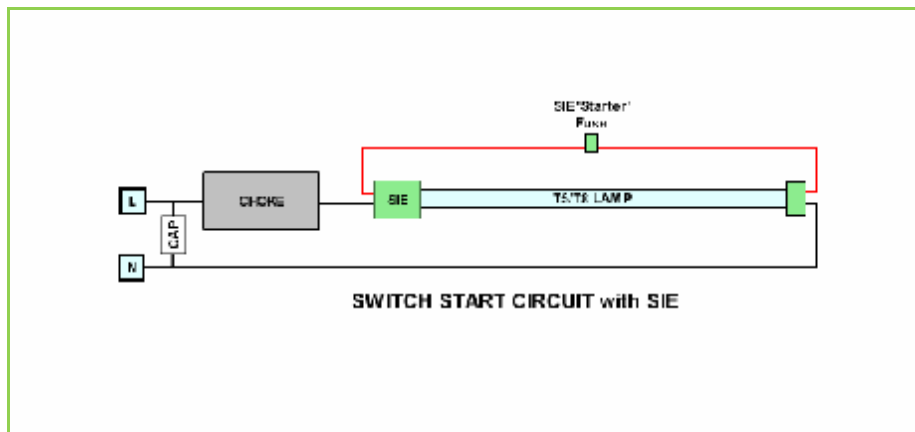
INL-240-070-T8A

Installation Process

The existing switch start circuit prior to the installation of Save It Easy® is illustrated below.



To install Save It Easy®, the starter is replaced by the SIE 'starter' fuse and the existing T8 or T12 lamp is replaced by the new lamp with the Save It Easy® HF ballast attached to one end and the T5 end cap or (in the case in the INL-240-070-T8A) the T8 extension piece attached to the other. The resulting circuit is shown below.



Additional Information

For additional general guidance in installing Save It Easy®, please refer to the SIE Installation Guide (available from www.saveiteasy.co.uk) and the Installation Flowchart provided with the supplied products/kits.