

Specific Instructions for Installation in 600 mm x 600 mm Modular Luminaires with HF Ballast

Application

This Guidance Note applies to the installation of Save It Easy® products supplied as the following part numbers:

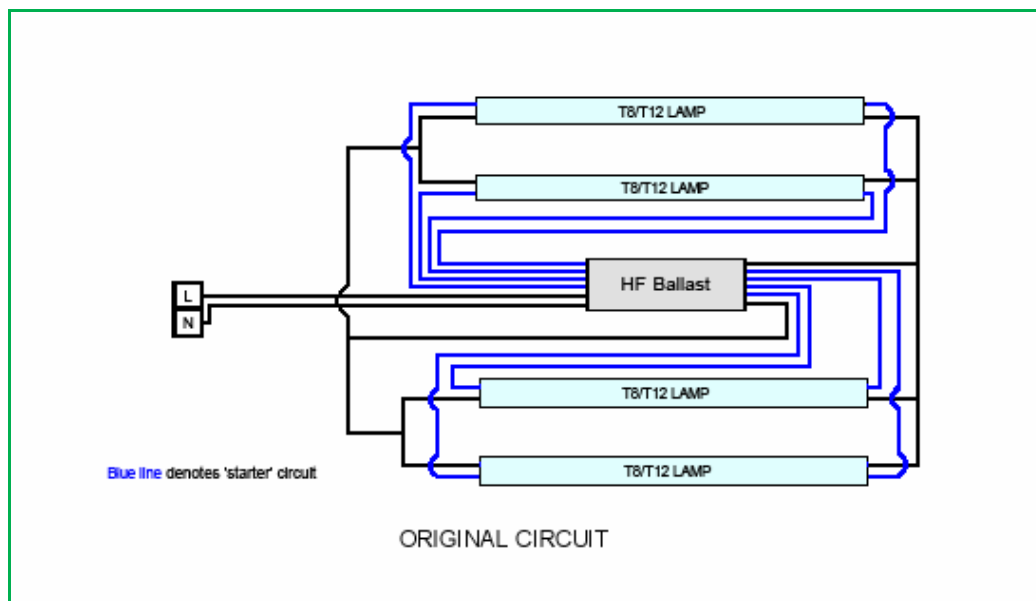
CMC-230-014-QUAD (for four lamp fittings)

CMC-230-014-QUAD (for three lamp fittings)

The equipment supplied under these part numbers consists of either four or three Save It Easy® high frequency ballasts (part number EVG-230-014-T5B) together with one Input Filter (part number CMC-001).

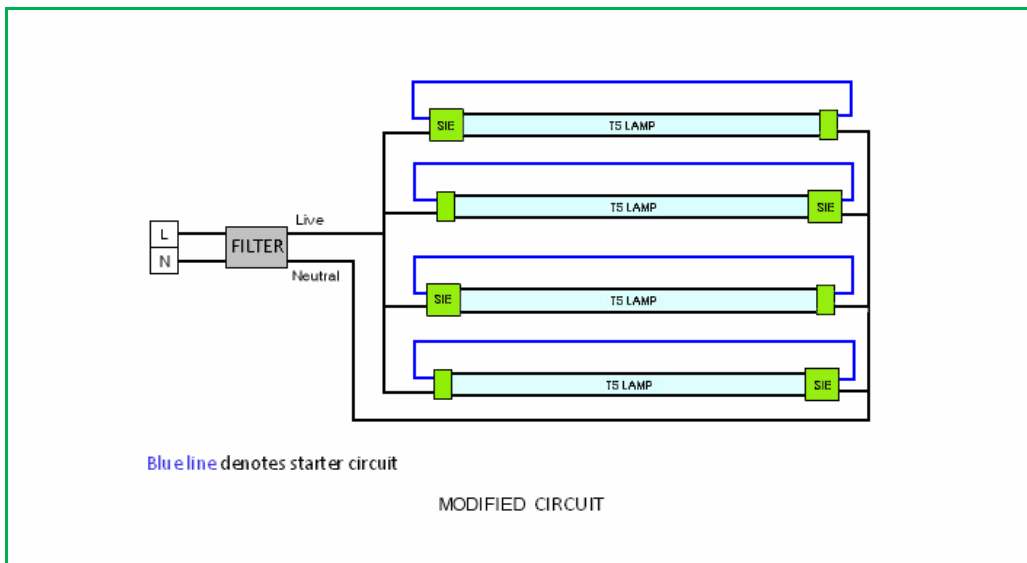
Installation Requirement

The existing system wiring arrangement will look similar to that shown below.



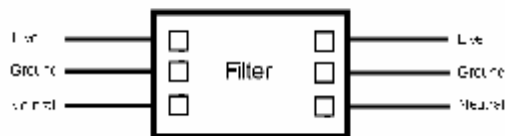
To install the units:

1. Completely remove the existing ballast from the circuit module.
2. Connect the incoming power to the Filter, adjacent to the incoming power block.
3. Rewire each lamp such that it receives live and neutral on one pair of opposing pins and has a closed loop circuit on the other pair as shown in the diagram below.



Note:

When connecting the EMC filter, please note that the filter is bi-directional which means that it does not matter which side the incoming feed is connected. Note also that the middle pin on each side is reserved for the earth connection if present.



Additional Information

For additional general guidance in installing Save It Easy®, please refer to the SIE Installation Guide (available from www.saveiteasy.co.uk) and the Installation Flowchart provided with the supplied products/kits.