

General Instructions for Installation in Fittings with a High Frequency Ballast

Application

This Guidance Note applies to the retrofit installation of Save It Easy® HF T5 adapters into luminaires using high frequency T8 ballasts, excluding 600mm x 600mm modular fittings. For 600mm x 600 mm fittings, please refer to AGN 017.

The Save It Easy® products supplied for this application are designated with the following part numbers:

INL-230-014-T5A (for use with 2 foot or 3 foot tubes)

INL-230-028-T5B

INL-230-035-T5B

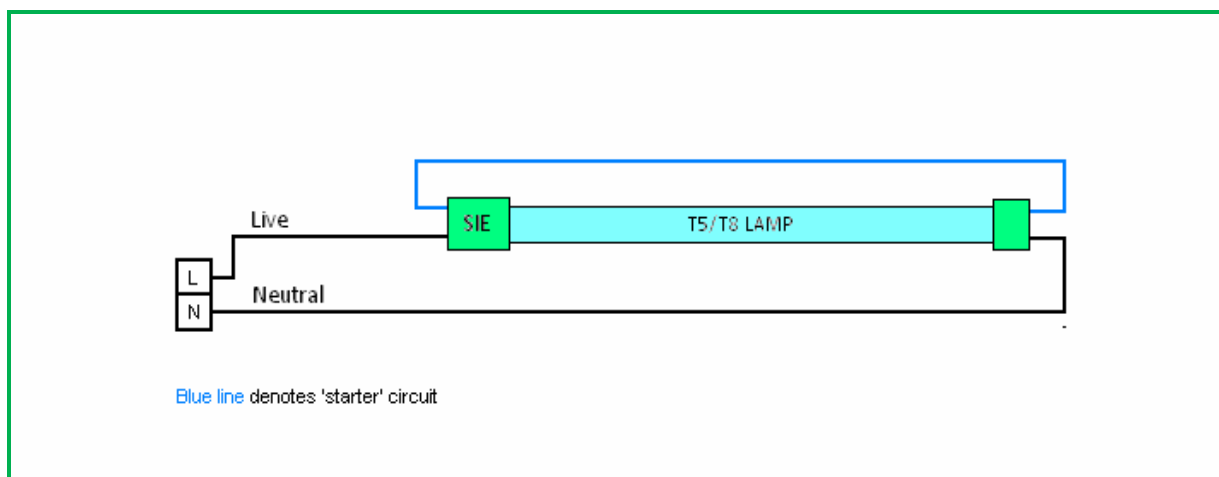
INL-UHL-049-T5D

Installation Process

Save It Easy® will not work with the existing HF ballast so it must be completely removed from the circuit.

Once this has been done, for each lamp way, proceed as follows:

1. Connect incoming Live to a free terminal of one lamp holder as shown in the diagram below.
2. Connect incoming Neutral to a free terminal of the other lamp holder as shown in the diagram below.
3. Create a 'starter' circuit by wiring the remaining free terminals at each lamp holder together as shown by the blue line in the diagram below. Note that it is not required to fit the SIE Starter fuse, if supplied with the SIE adapter.
4. Refit any parts of fitting that were removed to gain access to choke and wiring.
5. Fix warning/advisory label (stating the fact that the luminaire has been modified) to the exterior surface of the fitting where it is easily visible.
6. Attach the Save It Easy® adapter and end cap/extension piece to the new lamp and fit the assembly into the luminaire in accordance with the SIE documentation supplied with the adapters.



Additional Information

For additional general guidance in installing Save It Easy®, please refer to the SIE Installation Guide (available from www.saveiteasy.co.uk) and the Installation Flowchart provided with the supplied products/kits.