

## Specific Instructions for Installing a Reduced Number of Lamps in a 600 mm x 600 mm HF Fitting

---

### Application

This Guidance Note applies to the installation of Save It Easy® products supplied as kits with the following part numbers:

HFD-230-014-QUAD

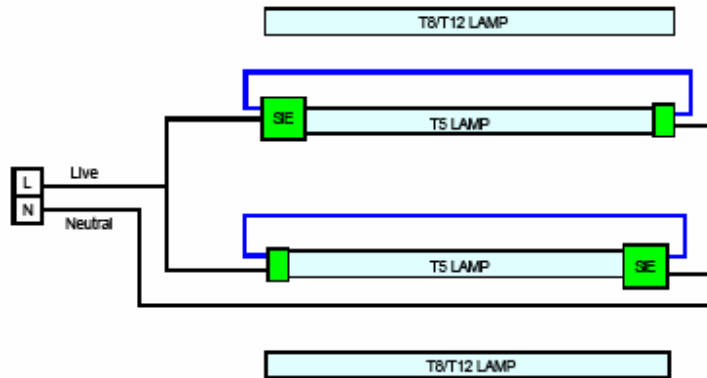
HFD-230-014-TRI

Each kit will consist of two SIE adapter kits with part number INL-230-014-T5A and two reflectors.

### Installation Process

The existing system will typically use one, HF, Ballast driving three or four T8 lamps. The installation procedure will be to replace this configuration with two T5 lamps, as follows:

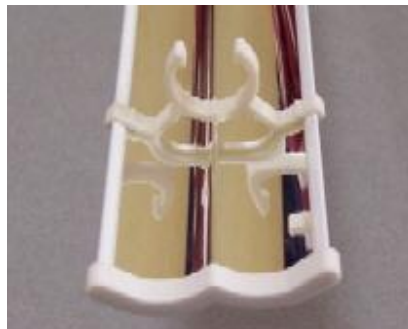
1. Remove the existing HF ballast completely from the circuit.
2. Decide which lamp ways are to be populated with the T5 lamps.
3. For each of the selected lamp ways, i.e. the ones into which the T5 lamps are to be fitted:
  - a. Create a starter circuit as shown in blue in the diagram below.
  - b. Connect live to the lamp holder at one end and neutral to the other end.
  - c. Attach the SIE adapter and end cap to the T5 lamp and fit in accordance with the standard installation instructions.



Blue line denotes 'starter' circuit

MODIFIED CIRCUIT

4. Attach the reflectors to the T5 lamps, using the integral tube clips (see photograph), and rotate them on the lamps so that the light will be reflected downwards.



## NOTES

1. In this conversion it is unnecessary to make any connection to the unused lamp ways as they perform no operational function.
2. Fit the lamp/adapters so that the adapters are at opposite ends as illustrated above.

## Additional Information

For additional general guidance in installing Save It Easy®, please refer to the SIE Installation Guide (available from [www.saveiteasy.co.uk](http://www.saveiteasy.co.uk)) and the Installation Flowchart provided with the supplied products/kits.