

Specific Instructions for Installation of a Reduced Number of Lamps in a 600 mm x 600 mm Switch Start Fitting

Application

This Guidance Note applies to the installation of Save It Easy® products supplied as kits with the following part numbers:

[PRO-2-QDP](#)

The application is to convert 600 x 600 modular luminaires (usually with CAT2 reflectors) to operate with two T5 lamps.

Each kit will consist of

2 SIE ballasts plus remote ends (PRO-2-016 or INL-240-015-T5A)

4 lamp holder bypass adaptors

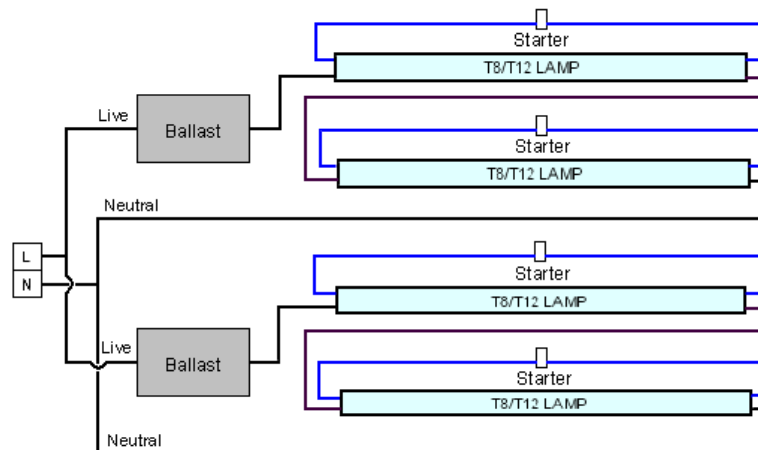
4 SIE 'Starter' fuses

2 SIE reflectors

And optionally 2 reflective inserts to blank out the unused lamp ways (see below for details).

Installation Process

The existing system will typically use two Switch Start Ballasts driving three or four T8 lamps as shown below.



Blue line denotes starter circuit

ORIGINAL CIRCUIT

The installation procedure is to replace this configuration with two T5 lamps, one on each ballast circuit, as follows:

1. Identify which lamp ways are connected to which ballast and select, for each ballast circuit, which lamp way is to have the T5 lamp fitted. Our recommendation is to place the 2 T5 lamps in the two outer lamp ways as this normally gives the best light distribution.
2. Remove the existing lamp from the lamp ways that are to have the T5 fitted and replace them with the T5 lamps and the SIE ballasts/remote ends as per a standard switch start fitting (as shown in the standard installation instructions).
3. Remove all the existing starters and replace with SIE starter fuses.
4. For the lamp ways that are to be left blank, insert a lamp holder bypass adaptor into each lamp holder (4 in total).

5. Attach the reflectors to the T5 lamps, using the integral tube clips and rotate them on the lamps so that the light will be reflected downwards.
6. Slide the reflective inserts, if supplied, into the luminaire reflector assembly, reflective side down, such that it blanks off the unused lamp way(s).

NOTES

1. If converting a 3 lamp fitting – we recommend leaving the centre lamp way blank and fitting the T5 lamps to the 2 outer lamp ways. In this case you will only require 2 of the 4 lamp holder bypass adaptors and 1 of the 2 reflective inserts.

Additional Information

For additional general guidance in installing Save It Easy®, please refer to the SIE Installation Guide provided with your Save It Easy equipment. Copies are also available from www.saveiteasy.co.uk